

ENG The AFIX®™ system

The Afix®™ frame is suited for posters that need to be changed often. The Frame consists of 4 square aluminium tubes connected by pcb corners. Each of the corners is equipped with a spring and clip-it system, which ensures that the poster is always smooth. The standard colour is anodized silver, but both tubes and corners are available in different colours. Because of the minimal design of the Afix®™ frame, the focus always remains on the poster. The Frame is lightweight and easy to transport thanks to its simple construction and the materials used. If the posters need to be changed very frequently, the clip-it system can be replaced by metal clamps with a protective cover.

Modular Presentation:

- Suspension with a nylon wire and 2 hooks (adjustable height)
- PCB footstand for placement on counter
- Suction cups for placement on windows
- Creation of 3D structures by combining frames using clips

Benefits:

- Easy assembly & disassembly
- Lightweight (for shipment & transport)
- All possible sizes (A4 - 6m²)
- Suited for both single-sided and double-sided posters

Tubes available in all RAL colours

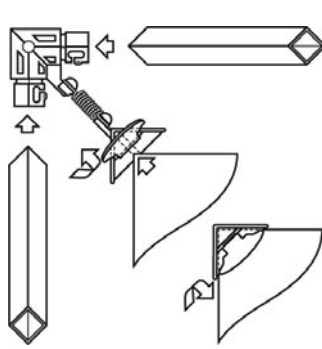
PCB corners available in the following colours: transparant, wit, rood, zwart, blauw.



Placement with suction cup



Tube + Corner + Spring + Clip-it



PCB footstand

